

Ø 22.5mm

AMMETER



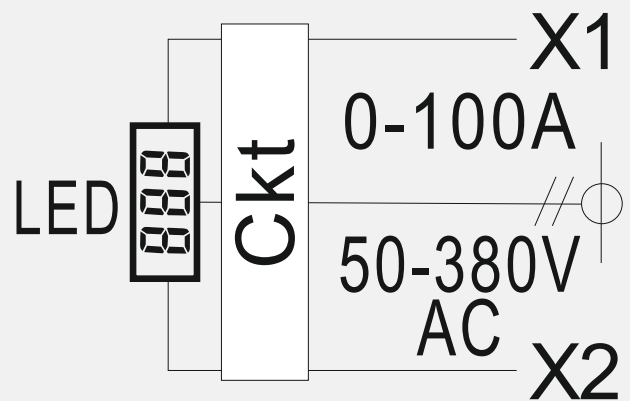
Features

- Ø22.5mm dia cutout
- 4 LED Bright Luminance
- All Colors Red, Green, Yellow and Blue Available
- 1 Year Warranty

TECHNICAL SPECIFICATION

| | |
|---------------------------|----------------------------------|
| Rated Voltage | 50-380V AC |
| Rated Amp | 100A |
| Operating Voltage | -20% to +10% of rated voltage |
| Rated Working Current | ≤ 20mA max |
| Voltage Fluctuation Range | +20% (above 110V) |
| Operating Frequency | 50/60 Hz |
| Insulation Resistance | Ui ≤ 60V5MΩ |
| Withstand Voltage | 2.5KV (AC effective value) 1min. |
| Continues Working Life | ≥ 3,0000Hrs |
| Brightness | ≤ 100cd/m ² |

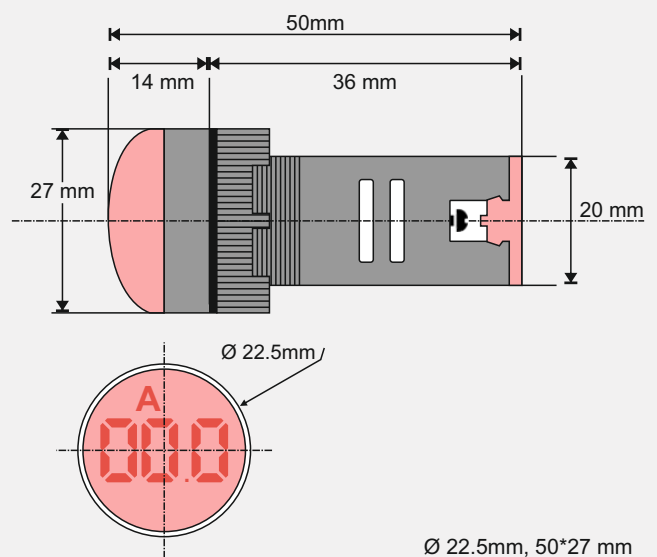
INTERNAL WIRING DIAGRAM



OTHER SPECIFICATION

| | |
|------------------------|---------------------------|
| Degree of Protection | IP20 |
| Confirming of Standard | IEC60947-5-1, EN60947-5-1 |

DIMENSIONS



ORDER CODE

| MODEL | Amp | COLOUR |
|-------------|------|----------|
| LC22-100A-R | 100A | ● RED |
| LC22-100A-G | | ● GREEN |
| LC22-100A-Y | | ● YELLOW |
| LC22-100A-B | | ● BLUE |